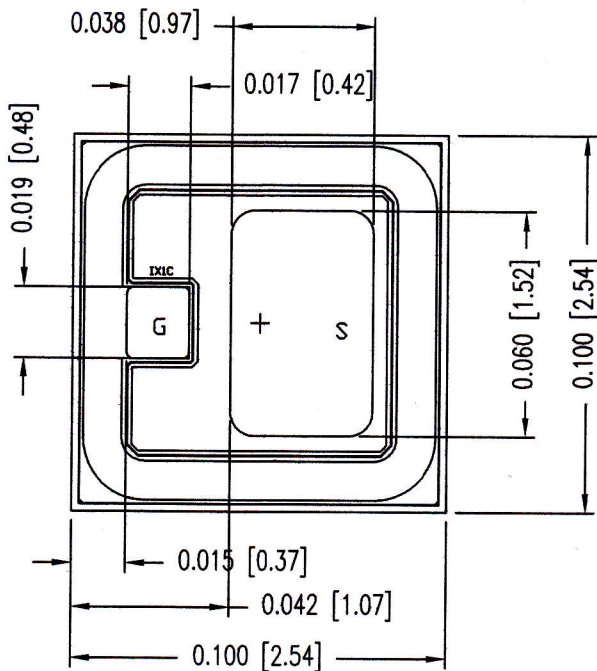




Sierra Components, Inc.

2222 Park Place, 3-E • Minden, Nevada 89423

Phone: 775.783.4940 Fax: 775.783.4947



NOTE:

1. DIE DIMENSION:
2.540 x 2.540 mm [0.100 x 0.100 inch]
2. DIE THICKNESS:
□ 250±25um [0.010"±0.001"]
□ 300±25um [0.012"±0.001"]
3. TOP BONDING PAD METAL:
2.5um NOMINAL THICK ALUMINUM
4. BACK METAL: 3 LAYERS OF Ti, Ni & Au or Ag
□ (1,500Å NOMINAL THICK GOLD)
□ (2,500Å NOMINAL THICK SILVER)
5. DIE SIZE TOLERANCE: ± 25 um [0.001"]
6. G = GATE
S = SOURCE
D = DRAIN (Bottom side of die)

APPROVED BY: MG

DIE SIZE: .100" x .100"

DATE: 8/28/15

MFG: IXYS

THICKNESS: .012"

P/N: IXTD08N50D2